

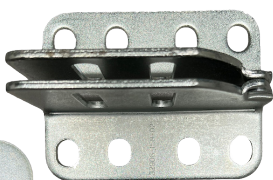
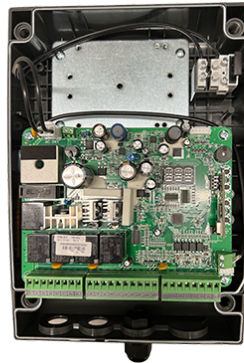
Electric - Kit Inclusions

TMT 400LLS

- Actuator Arm
- 1 x Control Box
- 1 x Control Board
- 1 x Bracket set
- 2 x Release keys
- 2 x Remotes with holders
- 1 x Warning sign
- 1 x Outdoor transformer



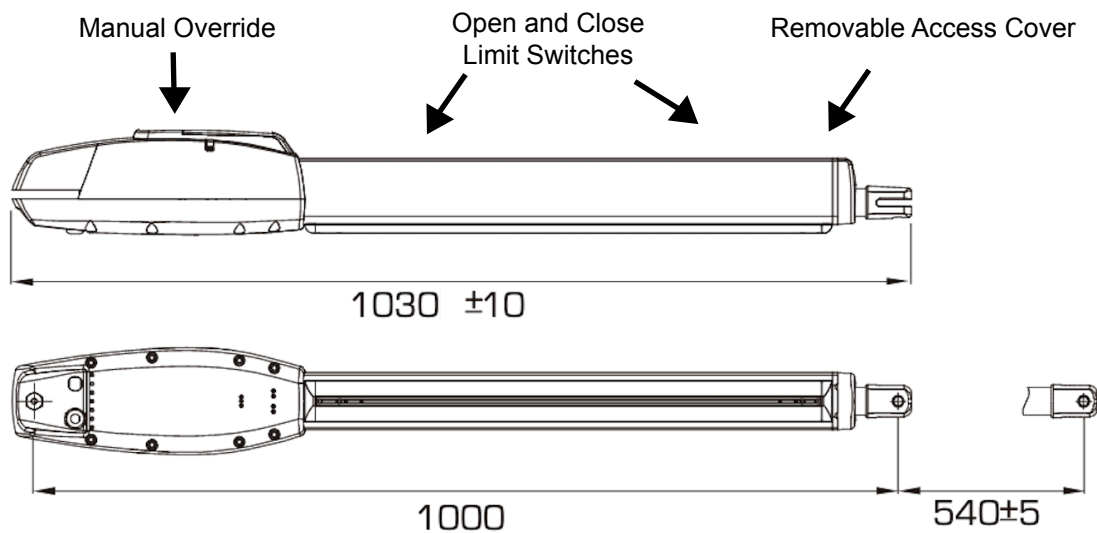
Single
&
Double
Kits



Features & Specs

- > Die cast aluminium motor cover
- > 24v Motor
- > Auto Close up to 5 minutes
- > Solar or Electric kits
- > Soft stopping
- > Outdoor Transformer
- > Worm driven actuator
- > 2 limit options: magnetic limits or overcurrent
- > Remote quantity - 80
- > Collision Sensing
- > Motor Power: 144 watts
- > Exit only input
- > Party mode feature
- > Self Learning
- > Manual release key
- > Max gate length 5mtrs
- > Gate weight max. 450kgs dependant on gate length
- > Single or Double gates

Actuator Overview



Emergency Override

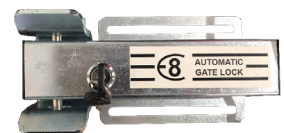
Simple to use manual override in case of an emergency. Simply insert the release key to unlock the actuator then turn the override knob.



Optional Extra's



Round gate brackets suits farm gate



Electric gate lock



Remote holder



Extra remotes